

LèPRESSO



LePresso

**CaféCruze Portable 2-In-1 Espresso
Maker with Heating Function**

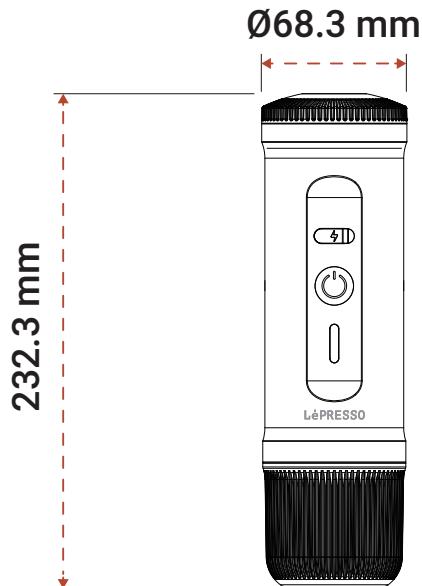
SKU: LPCFFPCM0095

Table of Contents

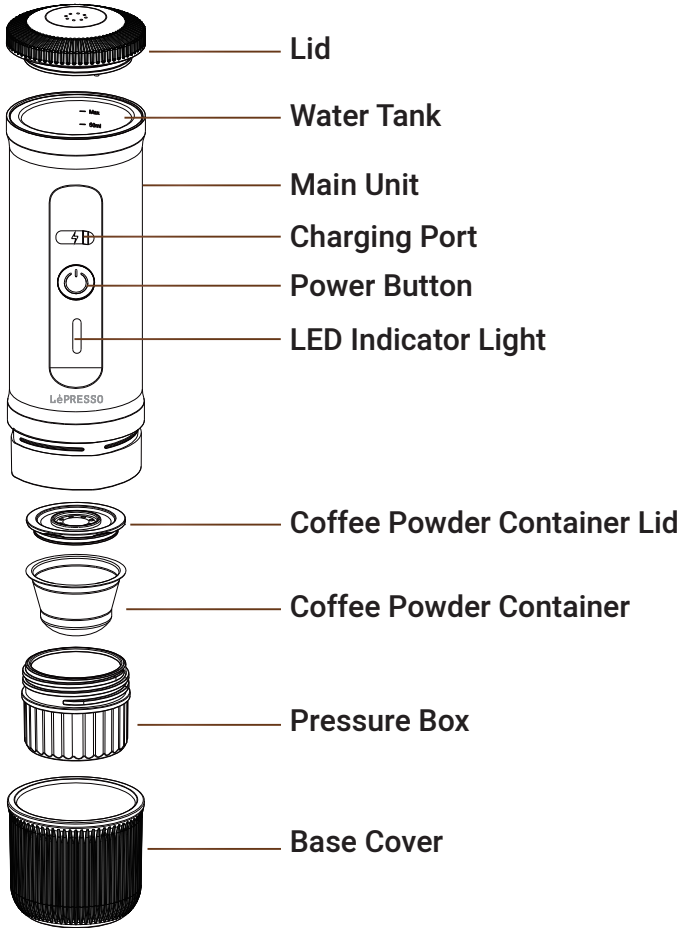
Specifications	2
Product Components	3
Instructions for Use	4
Avoid Extraction Failure	7
Notes on Charging	7
Adjust Single/Double Cup	8
Troubleshooting	9
Important Notes	10
Disposal	11
Warranty	12
Contact Us	12

Specifications

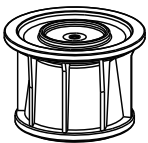
Model	LPCFFPCM0095
Rated Voltage	9V/2A
Rated Power	95W
Battery Capacity	3x2500mAh
Charging Time	2.5h
Pump Pressure	20Bar
Capacity	65mL
Brewing Time	3-4 Minutes
Material	SUS316 + ABS Body
Compatibility	Nespresso Capsule & Powder Coffee
Product Size	68.3 x 232.3
Product Weight	680g



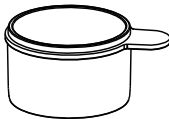
Product Components



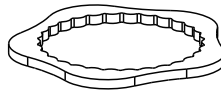
Optional Accessories



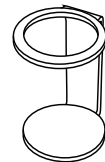
Filter
Basket



Coffee
Scoop



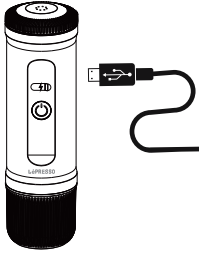
Flat Holder



Arched Holder

Instructions for Use

1



Fully charge the device using the included USB cable.

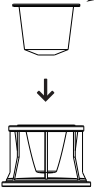
2



Remove the components from the main unit.

3

For Coffee Capsule



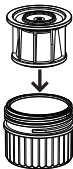
Insert the coffee capsule firmly into the capsule adapter.

For Coffee Powder

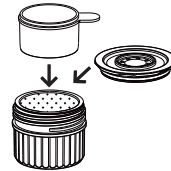


1. Insert the portafilter basket into the pressure chamber.
2. Add 8 grams of coffee powder into the portafilter basket.

4

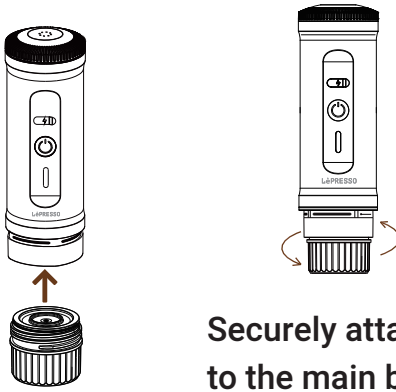


Place the capsule adapter upside down into the pressure chamber.



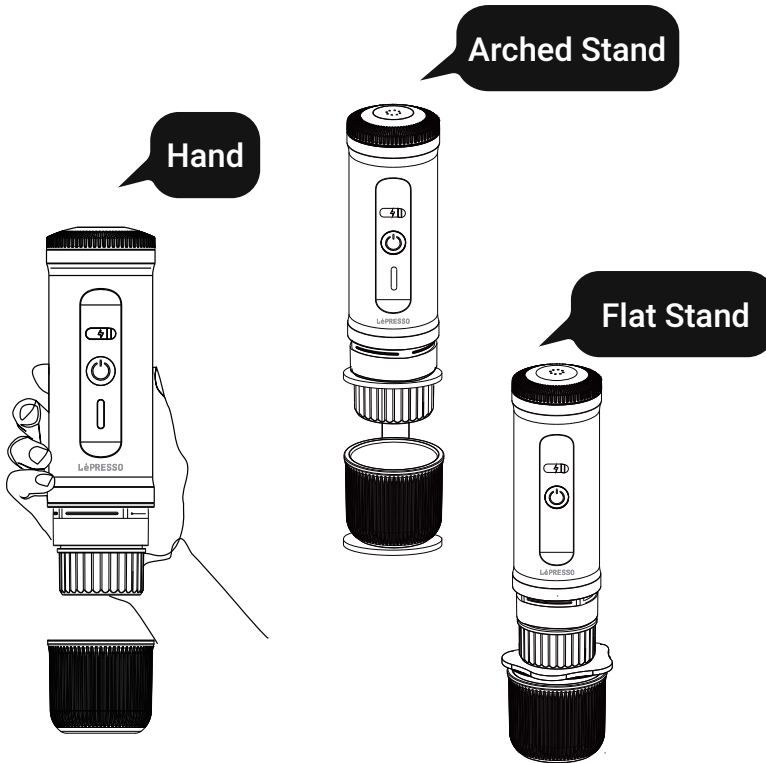
1. Press the coffee powder flat with the scoop.
2. Cover the portafilter lid tightly.

5



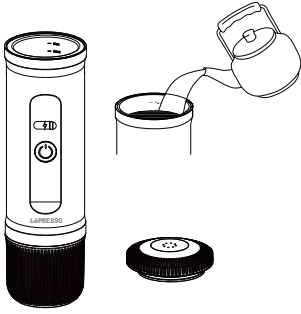
Securely attach the pressure chamber to the main body.

6

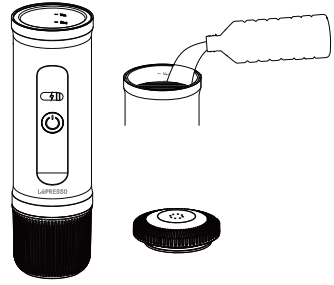


Place the main unit above the coffee cup.

7



Add hot water.



Add water at room temperature.

8

Power On the Machine

Press and hold the power button for 1.5 seconds to unlock the device.

First Extraction Method:

If hot water (92°C or above) is used, press and hold the power button for 2 seconds to begin the extraction process.

The green light will flash downward, indicating that extraction has started.

Second Extraction Method:

If room temperature water is used, press the power button briefly to initiate the heating and extraction process. The red indicator light will flash upward as the water heats. Once the optimal extraction temperature is reached, the light will turn green and flash downward to signal that extraction has begun.

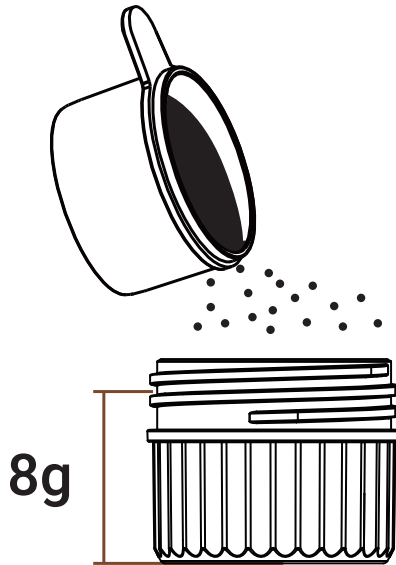


Note: Press the power button during heating or extraction to stop the process.

Avoid Extraction Failure

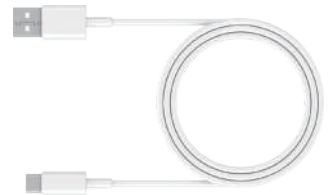
1. Select coffee powder with the appropriate grind size.
2. Add at least 8 grams of coffee powder for extraction.

Note: If the pressure chamber is not tightened properly, extraction may fail or cause leakage.



Notes on Charging

1. Recommended Charger: Use a charger with 18W or higher power (9V/2A).
2. Using a charger below 18W or one that does not support 9V/2A may result in



charging failure or significantly longer charging times.

3. Before use, press and hold the power button for 1.5 seconds to check the battery level. Ensure at least two battery bars remain.



4. Battery Indicators:

One red light: Low battery, requires charging.

One yellow light: Sufficient for extraction only, not for heating.

Two or more green lights: Sufficient for



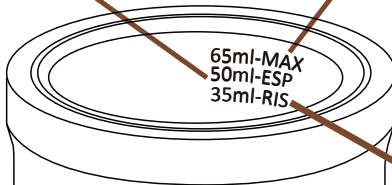
Adjust Single/Double Cup



50ml: Add 50ml of water to extract a 40ml cup of coffee.



Max: Fill to the maximum capacity (65ml) to make 55ml of coffee (approximately 2 ounces).



35ml: Add 35ml of water to extract a 25ml cup of espresso.

Troubleshooting

Problem	Indicator Light	Possible Cause	Solutions
No Heating	Single red light flashing	The device has a low battery.	Please charge the device immediately.
	Four yellow lights flashing	The device is equipped with dry boil protection.	Check if the water tank has water.
	Four red lights steady on/off	A malfunction has occurred in one of the components.	Kindly reach out to a professional service center for assistance.
No Extraction	Single red light flashing	The device is experiencing a low battery issue.	Charge the device immediately.
	Four yellow lights flashing	Extraction overload has been detected.	Clean the pressure chamber if it is clogged.
No Charging Response	No indicators	The battery is overheating.	Allow the device to cool down before charging.
	No indicators	An incompatible adapter has been detected.	Replace the adapter if necessary.
No Response to Long-press Button	No indicators	The battery is overheating again.	Allow the device to cool down before use.
	No indicators	The circuit board has sustained damage.	Please reach out to a professional service center for further help.

Important Notes:

Continuous use of the heating function may cause the battery temperature to rise excessively, triggering the protection mechanism and resulting in automatic shutdown. The device may not power on or charge while in this state.

The coffee maker will resume normal operation once it has cooled down. We recommend pausing for 30 minutes after every three consecutive heating cycles.

Important Notes

- 1. Extraction Capacity:** For optimal espresso, use 50ml of water per extraction.
- 2. On a Full Charge:**
 - 2.1** With 35ml of water at room temperature, the machine can heat and extract 7-5 cups of espresso.
 - 2.2** We recommend using 50ml of water at room temperature per extraction, allowing for 5-4 cups per charge.
 - 2.3** With 65ml of water at room temperature, the machine can heat and extract 4-3 cups per charge.
 - 2.4** Using 92°C hot water, the machine can extract more than 200 cups directly (no heating required).
(Always use purified water.)
- 3. To Ensure Proper Capsule Piercing, follow these steps carefully:**
 - 3.1** Firmly press the capsule into the capsule adapter.
 - 3.2** Insert the capsule adapter into the pressure chamber in the correct orientation.
 - 3.3** Securely screw the assembled pressure chamber onto the main body.
 - 3.4** Failure to tighten properly may cause extraction failure.
- 4. If Charging Fails:**
 - 4.1** Replace the adapter with a compatible one (recommended: $\geq 18W$, 9V/2A).
 - 4.2** Check if overheat protection was triggered. Allow the machine to cool before recharging.
- 5. How to Prevent Leaks/Poor Crema (Brewing Failure):**
 - a. For Coffee Powder:**
 - a.1** Check if too much coffee powder is used (8g recommended).

Ensure the powder is properly tamped before securing the lid.

a.2 Verify that the portafilter basket is correctly installed.

a.3 Confirm that the pressure chamber is securely fastened.

b. For Coffee Capsules:

b.1 Ensure the capsule is firmly pressed into the capsule adapter.

b.2 Check that the capsule adapter is properly seated in the pressure chamber.

b.3 Make sure the pressure chamber is tightly screwed onto the main body. Improper tightening may cause extraction failure.

6. Important Notes:

6.1 Fully charge the battery before long-term storage to prevent damage.

6.2 Clean only with a slightly damp cloth. Never rinse directly with water or submerge the unit.

6.3 Never open the lid during extraction to avoid burns.

6.4 Allow a few minutes after extraction before removing used grounds or capsules to prevent scalding.

6.5 Do not tilt the machine during operation.

Disposal

This product must not be disposed of as unsorted household waste. It is important to separate such waste for proper treatment and recycling, in compliance with local waste management regulations.

Warranty

Products that you buy directly from our **LePresso** website or shop come with a 24-month warranty.

The 24-month warranty applies to products purchased directly from our **LePresso** website or store. If **LePresso** products are bought from any of our verified retailers, then the product is eligible for only a 12-month warranty. To extend your product's warranty, visit our website <https://www.lepresso.com/warranty> and fill in your details in the provided form along with an uploaded picture of the product to process your request. Once approved, you will receive a confirmation email of the extended product warranty. Upload the required information within 48 hours of purchase to be eligible for a 24-month warranty period.

For more info, please check:

<https://www.lepresso.com/warranty>

Contact Us

If you have any questions or concerns about our Shipping and Returns Policy, please contact us at: info@lepresso.com

Website: <https://www.lepresso.com/>

Instagram: [lepresso_official](#)